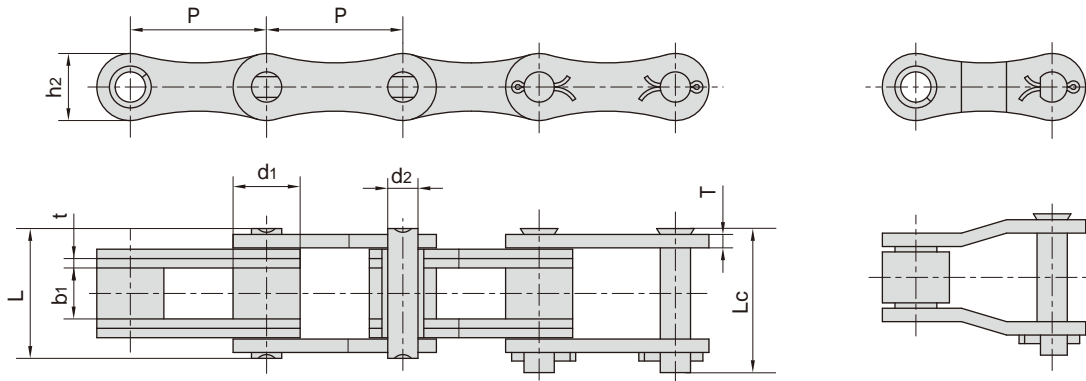
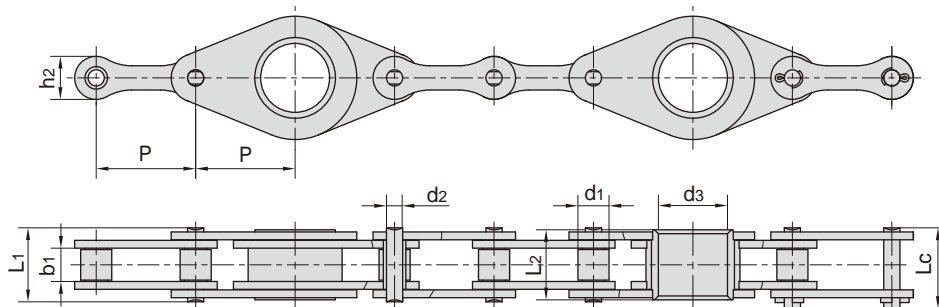


## 特殊农机链及附件 Special agricultural chains and attachments

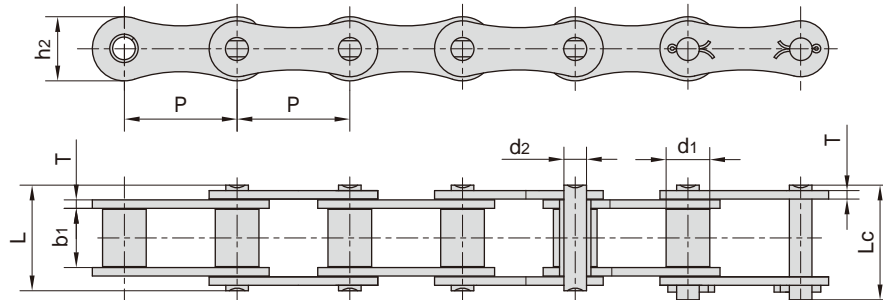


东华链号 Donghua Chain No.	节距	滚子直径	内节内宽	销轴直径	销轴长度		内链板高度	链板厚度	抗拉强度	平均抗拉强度	每米长重
	Pitch	Roller diameter	Width between inner plates	Pin diameter	Pin length		Inner plate depth	Plate thickness	Tensile strength	Average tensile strength	Weight per meter
	P	d1 max	b1 min	d2 max	L max	Lc max	h2 max	t/T max	Q min	Q0	q
	mm	mm	mm	mm	mm	mm	mm	mm	kN/lbf	kN	kg/m
55VF1H2	41.4	17.9	22.23	8.22	45.3	48.4	21.4	3.0	60.0/11858	65.0	2.92
CA650F1	50.8	25.0	19.00	11.28	49.2	53.7	25.0	3.5/5.0	138.0/27273	140.0	4.36



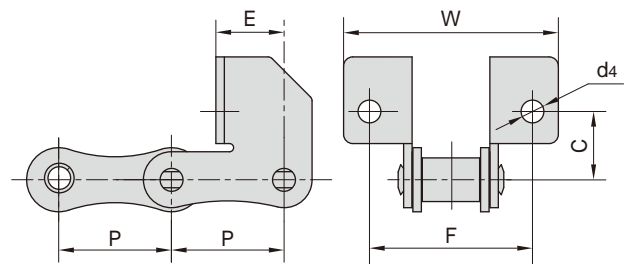
东华链号 Donghua Chain No.	节距	滚子直径	内节内宽	销轴直径	空心销轴内径	销轴长度			内链板高度	抗拉强度	平均抗拉强度
	Pitch	Roller diameter	Width between inner plates	Pin diameter	Hollow pin inner diameter	Pin length			Inner plate depth	Tensile strength	Average tensile strength
	P	d1 max	b1 min	d2 max	d3 min	L1 max	L2 max	Lc max	h2 max	Q min	Q0
	mm	mm	mm	mm	mm	mm	mm	mm	mm	kN/lbf	kN
216BF1	50.8	15.88	17.02	8.28	35.3	37.8	35.8	41.3	22.0	60.0/13636	70.8
CA650F3	50.8	19.05	19.05	9.53	35.3	40.4	37.8	44.7	25.0	90.0/20454	99.0

## 特殊农机链及附件 Special agricultural chains and attachments

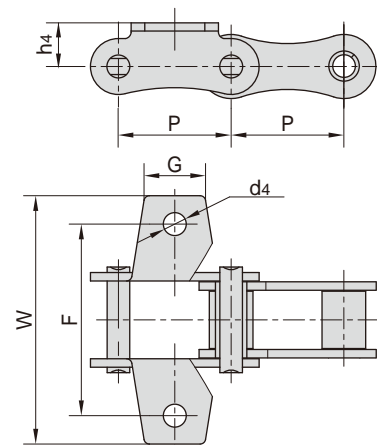


东华链号 Donghua Chain No.	节距 Pitch	滚子直径 Roller diameter	内节内宽 Width between inner plates	销轴直径 Pin diameter	销轴长度 Pin length		链板尺寸 Plate dimension		抗拉强度 Tensile strength	每米长重 Weight per meter
	P	d1 max	b1 min	d2 max	L max	Lc max	h2 max	T max	Q min	q
	mm	mm	mm	mm	mm	mm	mm	mm	kN/lbf	kg/m
P41.3	41.30	16.00	21.40	8.28	39.0	42.0	23.5	3.10	50.0/11363	2.27
CA620F4	42.01	19.05	27.90	10.19	44.9	46.5	25.0	3.00	45.0/10277	2.95
CA642	41.40	15.88	19.00	8.28	36.1	39.1	21.2	3.00	50.0/11363	1.98
CA645F1	41.40	17.78	22.23	8.22	41.3	44.4	21.4	1.33	71.7/16120	2.43
CA650	50.80	25.00	18.90	9.53	40.4	44.7	25.0	4.00	90.0/20454	3.49
CA650F2	50.80	20.00	18.90	9.53	40.4	44.7	25.0	4.00	90.0/20454	2.98
CA650F4	50.80	19.05	19.05	5.93	40.4	44.7	25.0	4.00	90.0/20454	2.85

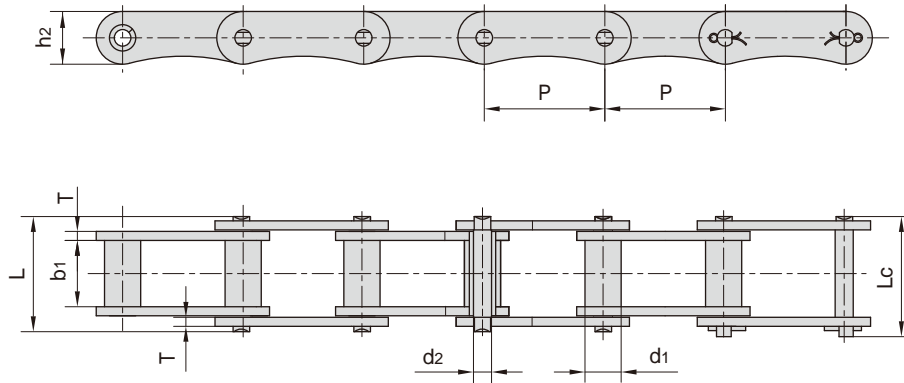
东华链号 Donghua Chain No.	P	C	E	F	W	d4
	mm	mm	mm	mm	mm	mm
P41.3SD	41.3	25	25.0	60	79	6.4
P41.3SDF4	41.3	25	25.0	60	79	6.4
P41.3SDF5	41.3	25	52.3	55	80	8.5
P41.3SDF6	41.3	25	25.0	60	79	8.4



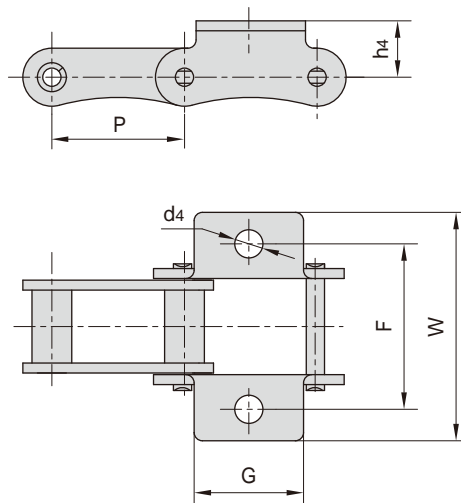
东华链号 Donghua Chain No.	P	G	F	W	h4	d4
	mm	mm	mm	mm	mm	mm
P41.3K1	41.3	22.0	70.5	91.3	16.0	8.4



## 特殊农机链及附件 Special agricultural chains and attachments

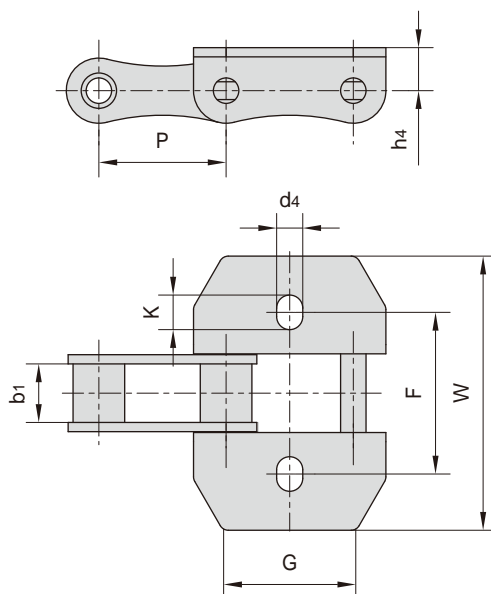


东华链号 Donghua Chain No.	节距	滚子直径	内节内宽	销轴直径	销轴长度		链板高度	链板厚度	抗拉强度	每米长重
	Pitch	Roller diameter	Width between inner plates	Pin diameter	Pin length		Plate depth	Plate thickness	Tensile strength	Weight per meter
	P	d1 max	b1 min	d2 max	L max	Lc max	h2 max	T max	Q min	q
	mm	mm	mm	mm	mm	mm	mm	mm	kN/lbf	kg/m
LV40	40	12.0	22.0	6.0	38.2	41.0	17.5	3.0	31.4/7136	1.53



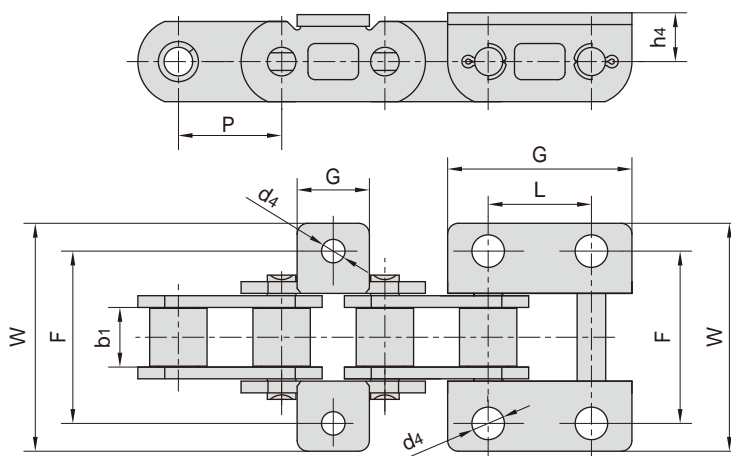
东华链号 Donghua Chain No.	P	G	F	W	h4	d4
	mm	mm	mm	mm	mm	mm
LV40K1	40.0	33.0	50.0	69.0	17.0	8.5

## 特殊农机链及附件 Special agricultural chains and attachments



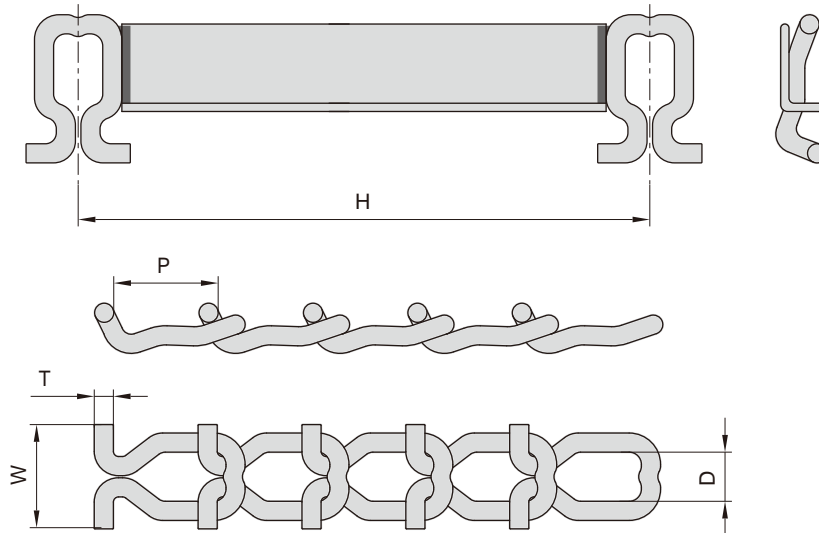
东华链号 Donghua Chain No.	P	b <sub>1</sub>	G	F	W	h <sub>4</sub>	d <sub>4</sub>	K
	mm	mm	mm	mm	mm	mm	mm	mm
CA642S103	41.4	19	40	53	89.6	14.0	8.5	11.25

S1附件 S1 attachments      S2附件 S2 attachments

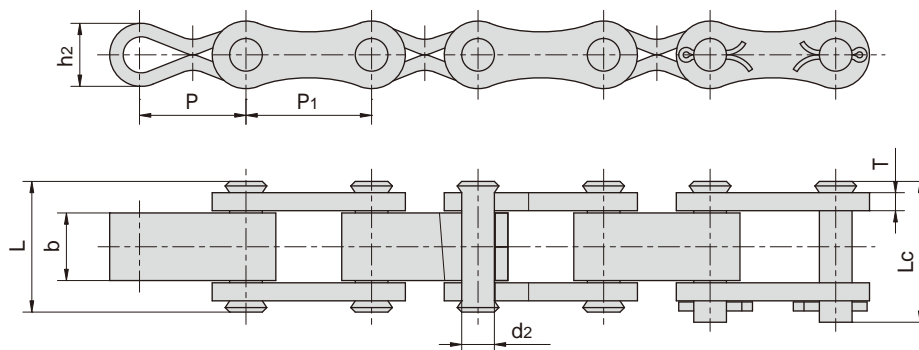


东华链号 Donghua Chain No.	P	b <sub>1</sub>	L	G	F	W	h <sub>4</sub>	d <sub>4</sub>
	mm	mm	mm	mm	mm	mm	mm	mm
CAE44151S1	28.575	16.200	-	20.0	47.0	61.0	13.0	6.50
CAE44151S2	28.575	16.200	28.58	51.0	47.0	62.4	13.5	9.00
P28F3	28.575	15.875	28.58	50.8	46.8	62.0	12.7	9.02

## 特殊农机链及附件 Special agricultural chains and attachments



东华链号 Donghua Chain No.	节距 Pitch	链节内宽 Inside width	链节全宽 Overall width	链节厚度 Thickness	链条中心宽度 Width center to center	平均抗拉强度 Average tensile strength
	P	D	W	T	H	Q <sub>min</sub>
	mm	mm	mm	mm	mm	kN/lbf
DH67 T-ROD	60.655	28.575	63.5	11.1	根据客户要求	71.18/16000



东华链号 Donghua Chain No.	节距 Pitch		销轴直径 Pin diameter	销轴长度 Pin length		链板高度 Plate depth	链板厚度 Plate thickness	附板尺寸 Attachment dimension	抗拉强度 Tensile strength
	P	P <sub>1</sub>	d <sub>2</sub> max	L max	Lc max	h <sub>2</sub>	T max	b	Q <sub>min</sub>
	mm	mm	mm	mm	mm	mm	mm	mm	kN/lbf
P47.25/55.75	47.25	55.75	14.5	59.0	62.5	28.0	8.0	30.0	130.0/28225
P49.9/50.1	49.90	50.10	12.2	52.0	57.0	25.0	7.0	30.0	60.0/13488